

DAN DRYER

AUTOMATIC DISPENSER FOR FOAM AND FLUID SOAP

(1) USERS'S GUIDE

PLEASE REFER TO THE CONSTRUCTION CHART AND THE PARTS LIST ON THE REVERSE SIDE.

- A. The dispenser is battery-operated and intended for the application of 4 pcs. 1.5 Volt ALKALINE batteries type "AA". Battery life: 100,000 dosages or 1 year. Alternatively, the dispenser can be connected to power supply via an adapter. The product is only suitable for indoor use.
- B. Dispenser dimensions: 270 (h) x 122 (w) x 106 mm (d).
- C. Soap tank capacity: 8 dl.

BATTERY-OPERATED:

- A. Open cabinet with the security key (supplied).
- B. Open battery box cover. Remove battery box and unplug cable. Insert (4) new 1.5 V Alkaline batteries type AA. Check that batteries are placed correctly (+/- indication).
- C. Reinstall battery box and close cover.
- D. Remove soap tank, rinse it and fill up with soap.
Article no. 846 is for foam soap
Article no. 847 is for fluid soap
Replace soap tank, close the cover and lock it with the key.
- E. When LED flashes blue (4) times the dispenser is ready for use.
- F. The sensor will automatically set at the optimum sensing distance.
- G. Close cabinet and test the dispenser.

WITH POWER SUPPLY (please also refer to fig. 1 and fig. 2 on the reverse side):

- A. Open cabinet with the security key (supplied).
- B. Feed the adapter plug through the hole in the back plate. Connect to socket in control box.
- C. Connect adapter to power outlet.

For further information please see D.-G. under the instructions of the battery-operated model.

(2) INSTALLATION GUIDE

Please follow the instructions below to install the automatic soap dispenser.
See also the illustrations on the reverse side.

Installation on wall:

- A. Choose a suitable spot minimum 20 cm above sink or counter-top to ensure problem-free use and re-fill. Please refer to drawing (6) on the reverse side.
- B. Tape the installation template to the wall. Drill (4) $\varnothing 8$ mm holes at the markings. Insert plastic dowels (supplied) and remove template (fig. 1).
- C. Place (2) of the screws supplied in the top two holes and fasten to the wall, leaving a 3 mm slip between wall and screw head to hang up the dispenser (fig. 2 and fig. 3).
- D. Use the key to open the cabinet (fig. 4).
- E. Remove soap tank and place the last (2) screws in the bottom two holes in the back plate. Tighten all screws (fig. 5).

Installation on mirror:

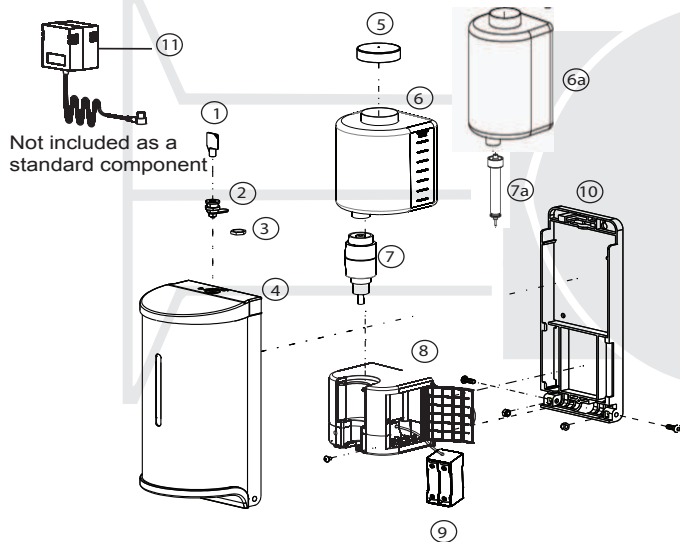
- A. Clean the mirror with isopropyl alcohol.
- B. Outline the dispenser on the mirror with masking tape.
- C. Pull off the protective foil off the self-adhesive pads on the dispenser back plate.
- D. Press unit onto the mirror for approx. 1 minute. Remove masking tape.
- E. Let tape adhere for 10 hours prior to filling dispenser with soap.

DAN DRYER

DK-8940 RANDERS SV - DENMARK
Tel.: + 45 86 41 57 11 - www.dandryer.com



(3) CONSTRUCTION CHART

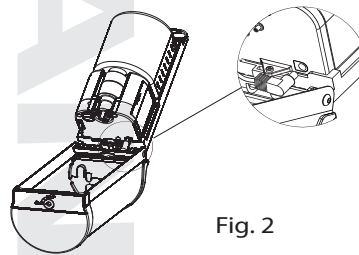
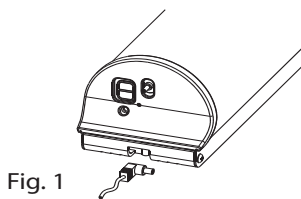


(4) PARTS LIST

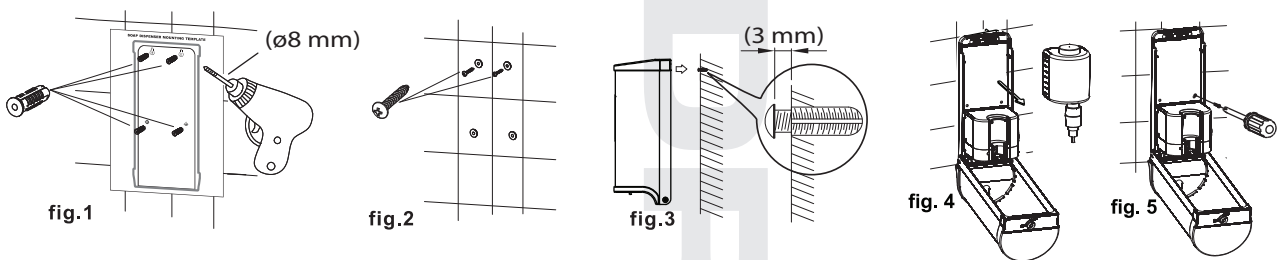
1. Security key
2. Lock
3. Nut
4. Cover
5. Soap tank lid
6. Soap tank for foam soap
- 6.a Soap tank for fluid soap
7. Valve pump / foam soap
- 7.a Valve tube / fluid soap
8. Control box
9. Battery compartment
10. Back plate
11. 4,5 Vdc adapter (for connection to 230 Vac).

(5) CONNECTING TO POWER SUPPLY VIA ADAPTER (alternative solution)

1. Open the cabinet with the key (supplied).
2. Lead the adapter plug through the hole in the back plate (Fig. 1 og Fig. 2) before mounting the dispenser on the wall. Connect to socket in control box.
3. Connect adapter to a standard 230 Vac wall outlet.

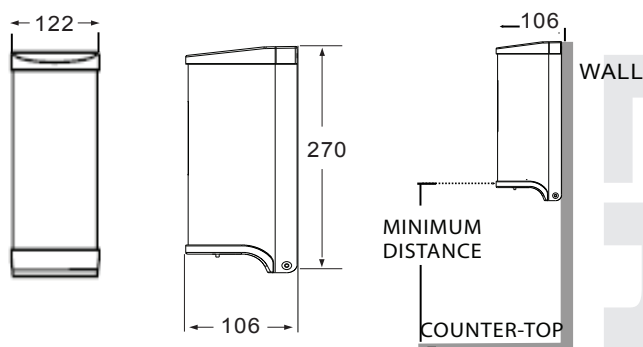


(6) INSTALLATION ON WALL



(7) RECOMMENDED INSTALLATION HEIGHT

MEASURING UNIT: mm



INSTALLATION HEIGHT:

At least 20 cm above conventional counter-top.
At least 30 cm above stainless steel surface.
If this is not observed the dispenser might activate unintendedly.